



OPAL

HIGH RESISTANCE INTERACTIVE LED FLOOR













OVERVIEW

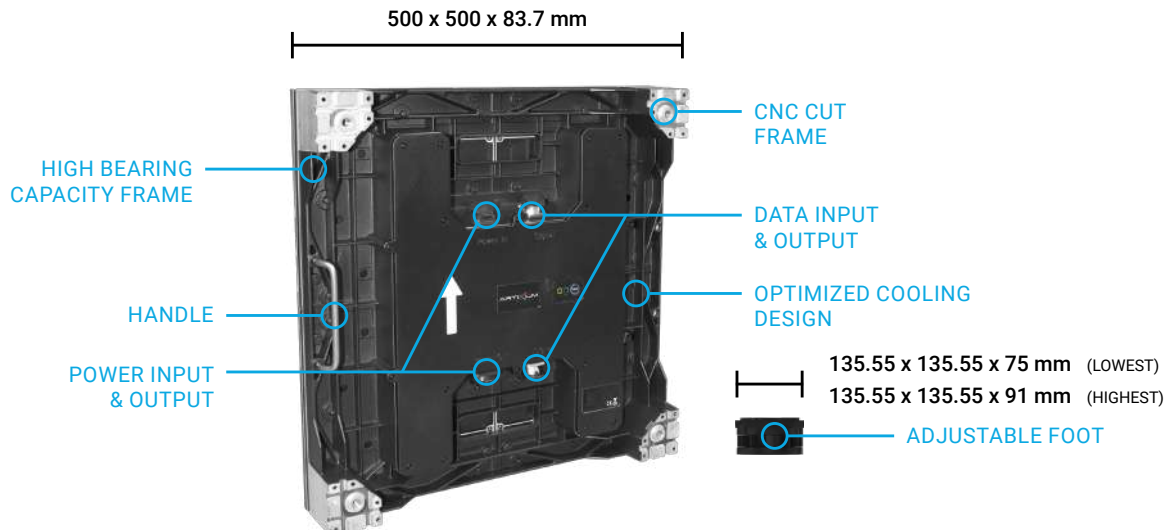
The OPAL is an excellent LED interactive floor display, with an extremely short response time, high stability, and a load capacity of over 2000kg/sqm. Its adjustable feet and easy front access maintenance make for quick and flawless integration. The OPAL has up to 16 quick response touch points per module, allowing for a unique interactive experience without any delay.



- | | |
|--|--|
|  APPLICATION Indoor |  BRIGHTNESS ≤ 3000 NITS @ 5 volts |
|  INGRESS PROTECTION IP65 |  WEIGHT 15 - 13 kg/cabinet |
|  PIXEL PITCH P2.6 P2.9 P3.9 P5.2 P6.2 |  MATERIAL Aluminum |
|  DISPLAY AREA (W x H) 500 x 500 mm |  MAINTENANCE Front maintenance |



FEATURES





QUICK RESPONSE TIME

Depending on the pixel pitch, the modules can each contain from 4 to 16 touchpoints with a 33ms response time (less than 0.033s). This gives you the ability to create unique interactions between your audience and your LED

installation concept. You can also enhance your dynamic and interactive installation by triggering both visuals and sound effects. The OPAL offers endless possibilities for showrooms, museums, shows, and so on.



ADJUSTABLE FEET



QUICK AND EASY INTEGRATION



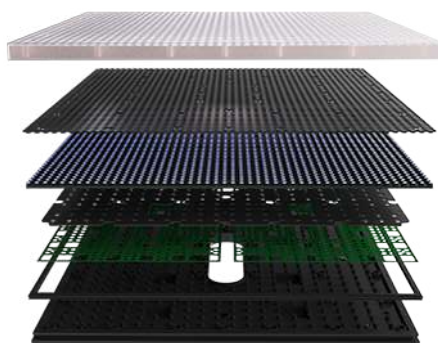
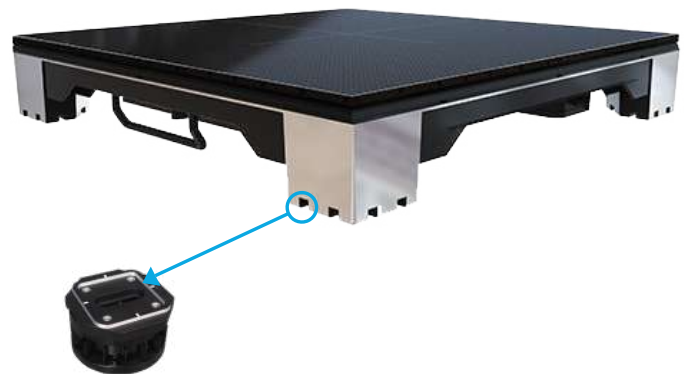
HIGH BEARING CAPACITY

FRONT MAINTENANCE

Each module of the OPAL can be removed and replaced from the front thanks to a vacuum tool that allows for a quick intervention, if needed.

ULTRA RESISTANT

The OPAL LED floor application is waterproof and highly resistant to shocks and heavyweight, bearing up to 2t/sqm. It is designed to withstand a tremendous amount of use without taking any damage.



EASY INTEGRATION

The OPAL adjustable feet are designed to allow a quick assembly of the different cabinets. Once one of them is placed on the floor, the feet will serve as guides for the other cabinets to fit perfectly. Combined with the ability to adjust the height, allows for flawless and quick integration.



TECHNICAL SPECIFICATIONS

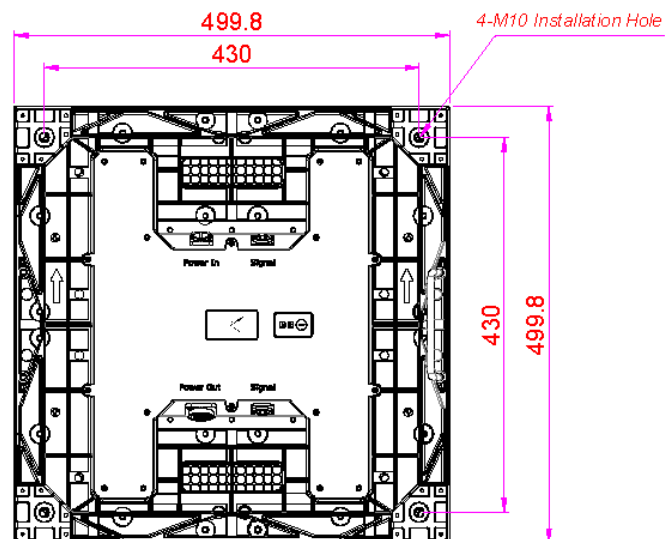
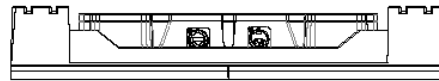
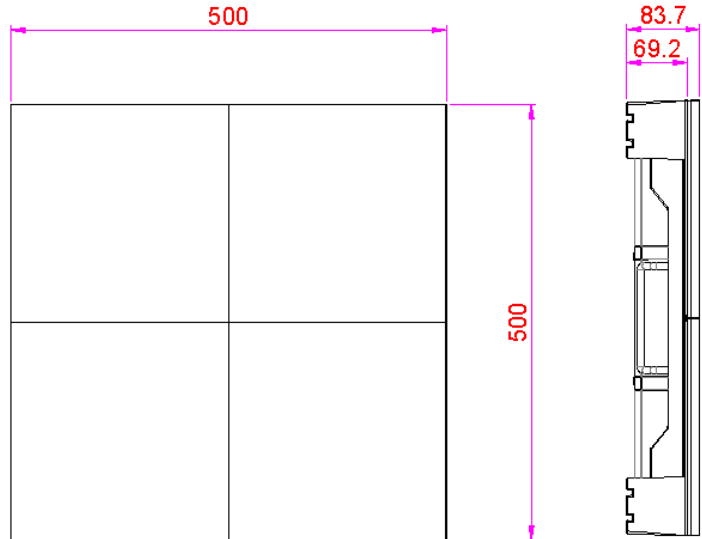
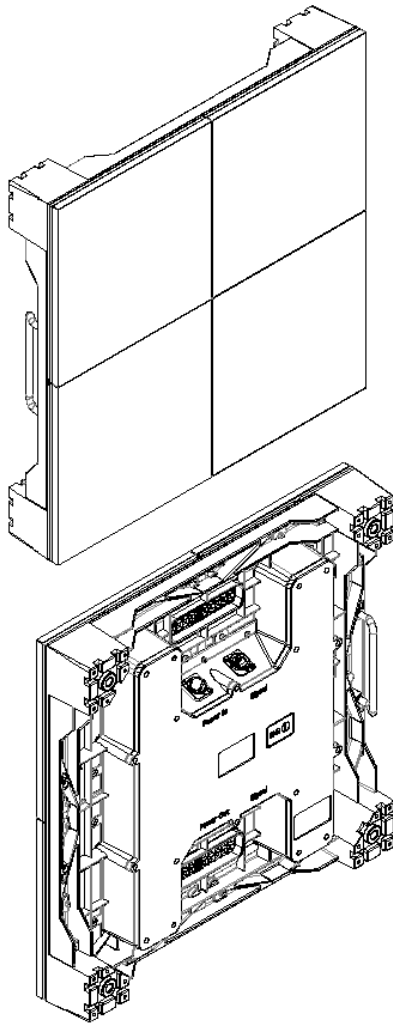
| Product Parameters | Unit | INDOOR | | | | |
|--|--------|---------------------------|-----------|--------------------|---------|--------------------|
| | | 2.6 | 2.9 | 3.9 | 5.2 | 6.2 |
| Pixel Pitch | mm | 2,60 | 2,98 | 3,91 | 5,21 | 6,25 |
| LED | | SMD1010 (GOB) | SMD1516 | | SMD1921 | |
| Application | | Interactive LED floor | | | | |
| Ingress Protection | IP | IP65 | | | | |
| Brightness | cd/sqm | ≤ 600Nits @5volts | | ≤ 2600Nits @5volts | | ≤ 3000Nits @5volts |
| Color Temperature after calib (adjustable) | deg. K | 5500 - 9500 Adjustable | | | | |
| Viewing Angle (50% brightness) | deg. | 120 L / 120 H | | | | |
| Cabinet Size (WxHxD) | mm | 500 x 500 x 83.7 | | | | |
| Display area (WxH) | mm | 500 x 500 | | | | |
| Module Size (WxHxD) | mm | 250 x 250 x 14.5 | | | | |
| Pixel Matrix Per Cabinet (WxH) | px | 192 x 192 | 168 x 168 | 128 x 128 | 96 x 96 | 80 x 80 |
| Pixel Matrix Per Module (WxH) | px | 96 x 96 | 84 x 84 | 64 x 64 | 48 x 48 | 40 x 40 |
| Pixel Density | px/sqm | 147456 | 112896 | 65536 | 36864 | 25600 |
| Weight of cabinet | kg | 15 | | 13 | | |
| Cabinet Material | | Aluminum | | | | |
| Maintenance Mode | | Front | | | | |
| Mask specification | | Rubber / No shaders | | | | |
| Contrast Ratio | | Élevé | | | | |
| Grey scale (linear) | bit | 14 | | | | |
| Brightness control | bit | 16 | | | | |
| Processing depth | bit | 16 | | | | |
| Color | | 281 Trillions | | | | |
| Display Refresh Rate | Hz | 1920 | | | | |
| Operation Power | V | 100V-240V AC | | | | |
| Max. Power Consumption | W/sqm | 600 | | 800 | | |
| Average Power Consumption | W/sqm | 200 | | 240 | | |
| Control Mode | | Synchronization | | | | |
| Video Frame Rate | Hz | 50/60Hz | | | | |
| Input Types Supported | | DVI/SDI/HDMI | | | | |
| 3D ready (optional) | | Non | | | | |
| Calibration | | Yes | | | | |
| Lifetime (50% brightness) | h | 100000 | | | | |
| Operating Humidity Range | | 10% - 90% | | | | |
| Operating Temperature Range | | -30°C / +40°C | | | | |
| Screen Uniformity Correction | | - | | | | |
| Certification | | FCC / CE / ETL / CCC / CB | | | | |
| Available options | | Interactivity | | | | |
| Compatibility | | No | | | | |



Information and design in this leaflet are subject to Artixium France SAS copyright. No material from this leaflet can be used in any context without ARTIXIUM approval. Designs and specifications are subject to change without notice. All images of ARTIXIUM products components and accessories used here are also subject to change without notice. All information presented herein is based on the latest information at the time of publishing. Actual results of performance and other specifications may differ or vary with production models and may depend on selected options and model ranks.

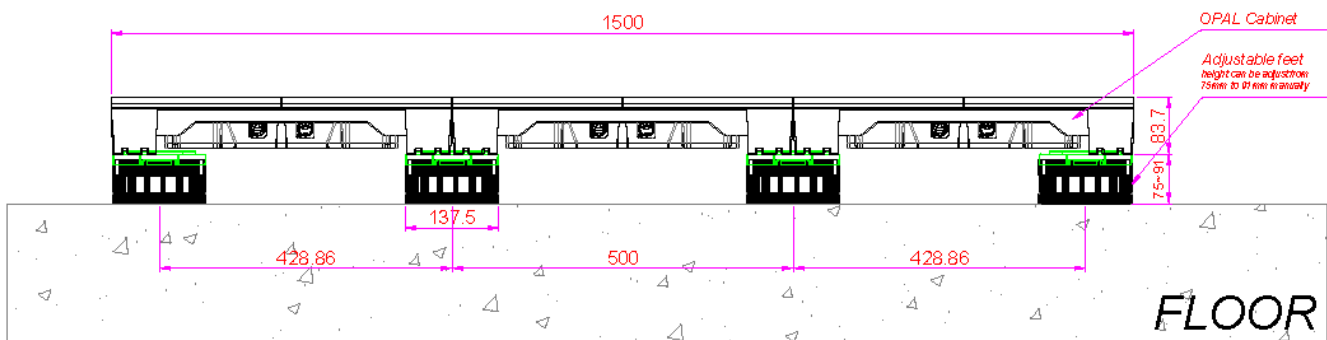
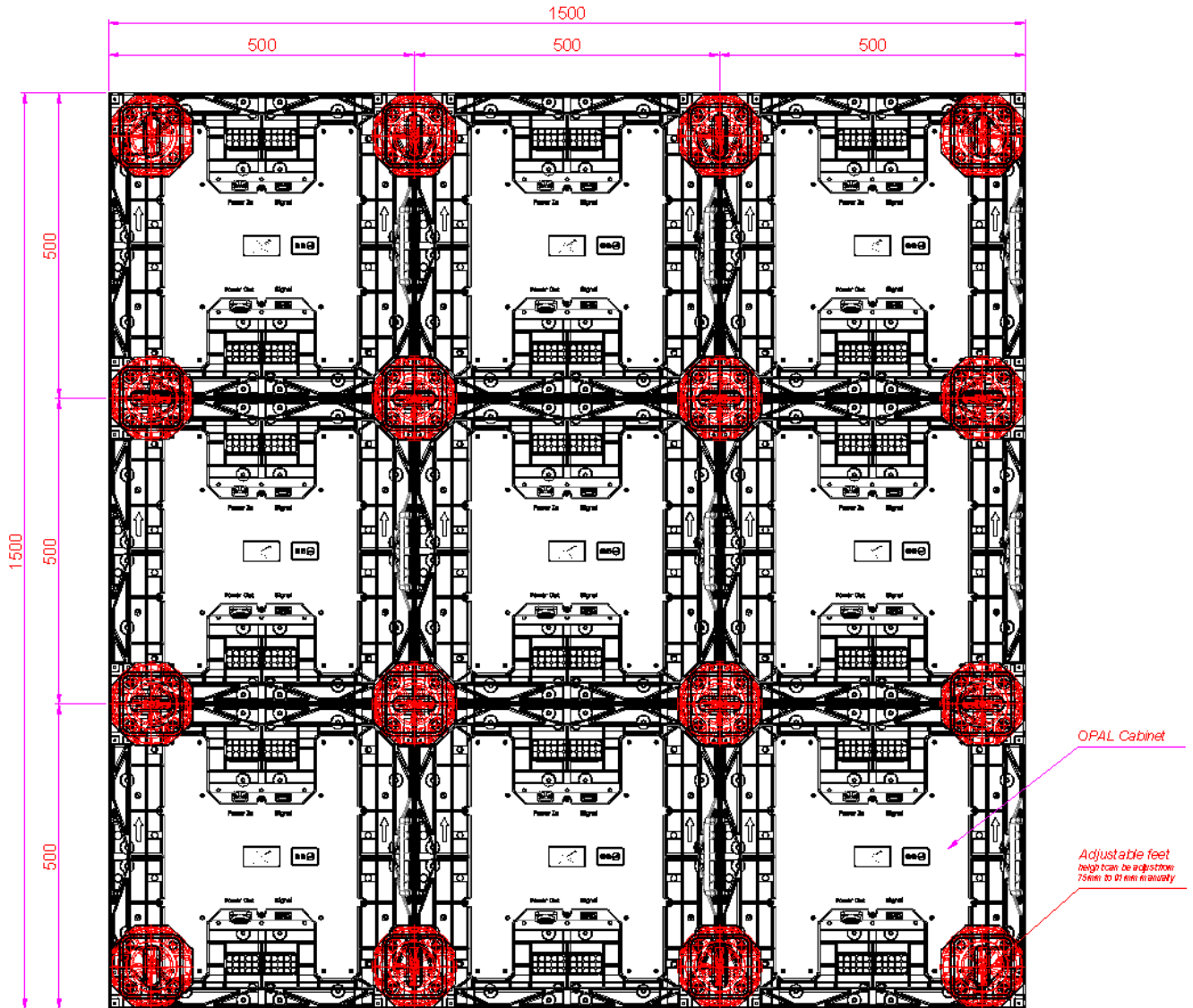


TECHNICAL DRAWINGS



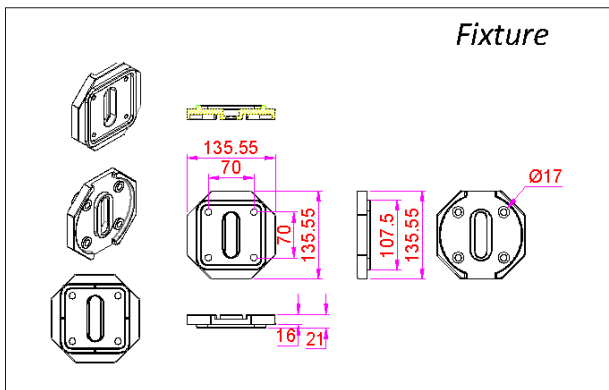
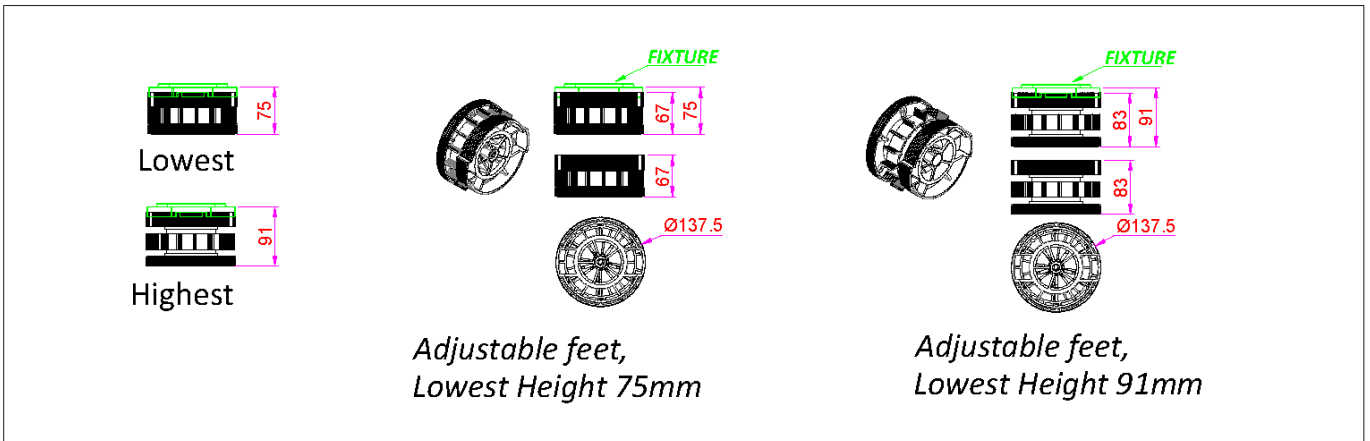


TECHNICAL DRAWINGS





TECHNICAL DRAWINGS



CONTACT


The Artixium regional branches are the key for the growth and development of our global network all over the world. Artixium's team is a spectrum of different nationalities and cultures, reflecting their global presence and mindset, mak-

ing their communication smooth and hassle-free with clients from all around the world. Customer care, Innovation and flexibility has always been our values and we intend to keep this reputation for many years to come.

ARTIXIUM FRANCHISES


"From your project's conception to its completion."


FRANCE

 112 Avenue Franklin Roosevelt
69120 Vaulx-en-Velin
France





CHINA

 Artixium Operational Center
518000 Shenzhen
China





GERMANY

 Weissensteinstrasse 90b,
46149 Oberhausen
Germany






TURKEY

 Merkez Mah. Baglar Cad. A
Blok Apt. No: 14D/13 Kagithane, Istanbul
Turkey




 www.artixium.com

 0 428 001 801

 [linkedin.com/company/artixium](https://www.linkedin.com/company/artixium)

 twitter.com/artixium

 contact@artixium.com

 [youtube.com/@artixium](https://www.youtube.com/@artixium)

 [facebook.com/artixium](https://www.facebook.com/artixium)

 [instagram.com/artixium](https://www.instagram.com/artixium)



Since its creation in 2012 by two european entrepreneurs, Artixium has been evolving and always looking for innovative ways to contribute to the digital transition of our world. It only took a few years for Artixium to become a key player in the LED display industry.

www.artixium.com